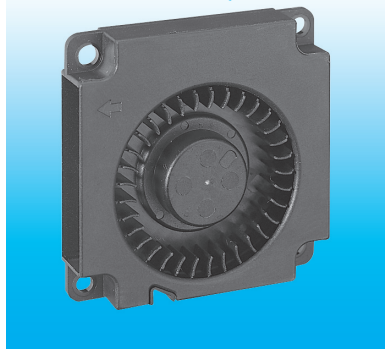
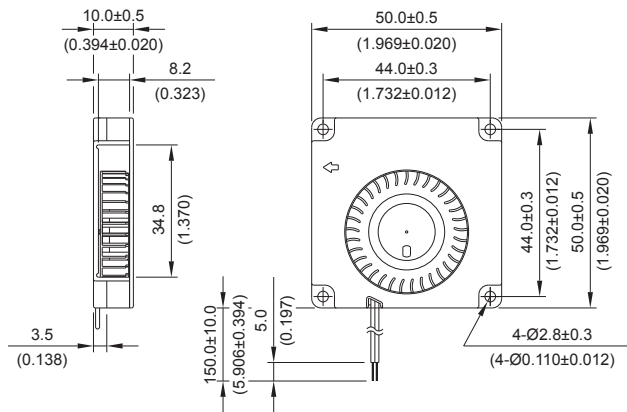


New



BFB 50 x 50 x 10 MM SERIES

■ DIMENSIONS DRAWING

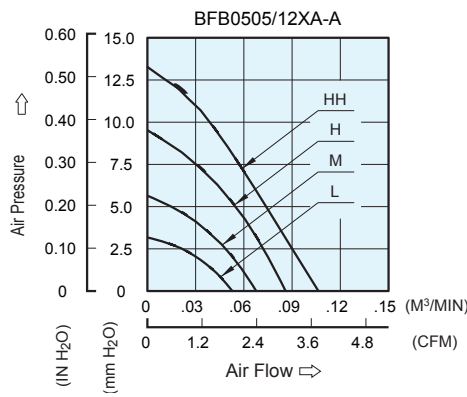


UNIT : $\frac{\text{mm}}{\text{(INCH)}}$

- * Bearing Type
Ball Bearings
- * Material
Impeller & Frame : Plastic(UL 94V-0)
- * Lead Wires :
UL 1571 AWG #28 OR Equivalent
Red Wire Positive(+)
Black Wire Negative(-)
- * Weight : 16.5g (0.58 OZ)

■ P & Q CURVE (AT RATED VOLTAGE)

■ MOUNTING PANEL CUTOUT



MODEL			Rated Voltage	Operating Voltage Range	Input Current	Input Power	Speed	Maximum Air Flow		Maximum Air Pressure		Noise
PART NO.	REV.	FUNCTION	VDC	VDC	Amp	Watt	R.P.M.	m ³ /min	CFM	mmH ₂ O	IN H ₂ O	dB-A
BFB0505LA	-A	-R00 / -F00	5	4.0 to 5.5	0.05	0.25	3500	0.053	1.87	3.18	0.125	22.5
BFB0512LA	-A	-R00 / -F00	12	7.0 to 13.2	0.04	0.48						
BFB0505MA	-A	-R00 / -F00	5	4.0 to 5.5	0.07	0.35	4500	0.068	2.40	5.64	0.222	28.0
BFB0512MA	-A	-R00 / -F00	12	7.0 to 13.2	0.05	0.60						
BFB0505HA	-A	-R00 / -F00	5	4.0 to 5.5	0.12	0.60	5500	0.086	3.04	9.47	0.373	32.5
BFB0512HA	-A	-R00 / -F00	12	7.0 to 13.2	0.08	0.96						
BFB0505HHA	-A	-R00 / -F00	5	4.0 to 5.5	0.16	0.80	6500	0.110	3.88	13.43	0.529	37.5
BFB0512HHA	-A	-R00 / -F00	12	7.0 to 13.2	0.09	1.08						

* Function type is optional.
 * The max. air flow and the speed are measured in free air ; max. air pressure is measured at zero air flow.
 * Noise is measured in anechoic chamber in free air, one meter from intake side.
 * All readings are typical values at rated voltage.
 * Specifications are subject to change without notice.